



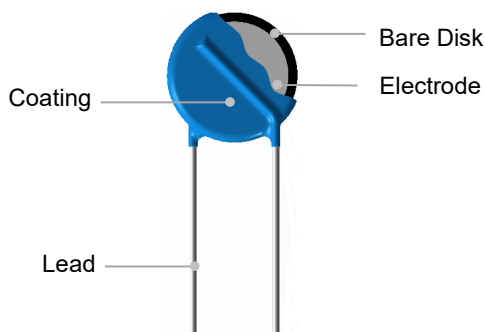
Description

Metal Oxide Varistor (MOV) is a nonlinear resistance component with zinc oxide (ZnO) as its main constituent. The resistance of an MOV is sensitive to changes in the applied voltage. Below the threshold voltage, the MOV exhibits high resistance, allowing only a negligibly small leakage current to flow. Once the threshold voltage is exceeded, the resistance of the MOV drops sharply, enabling the conduction of a large current. This characteristic makes the MOV suitable for detecting and suppressing surge voltage and overvoltage, thereby protecting the circuit from damage caused by excessive voltage.

The Metal Oxide Varistor (MOV) finds wide application in various fields such as photovoltaics, communication, lightning protection, power supply, and power strips. It serves to suppress transient overvoltage and absorb surge energy within the circuit.

SETsafe | SETfuse offers Metal Oxide Varistors (MOV) with maximum peak current ratings ranging from 0.75 kA to 70 kA, and maximum continuous voltage ratings from 14VAC to 750 VAC. Safety certification includes UL, cUL, TUV, and CQC, and complies with RoHS and REACH requirements.

Product Structure



Lead Types

Lead Types	Codes
Straight Lead	A
Outward Crimp Lead	C
Little Straight Lead	I
Inline Crimp Lead	D

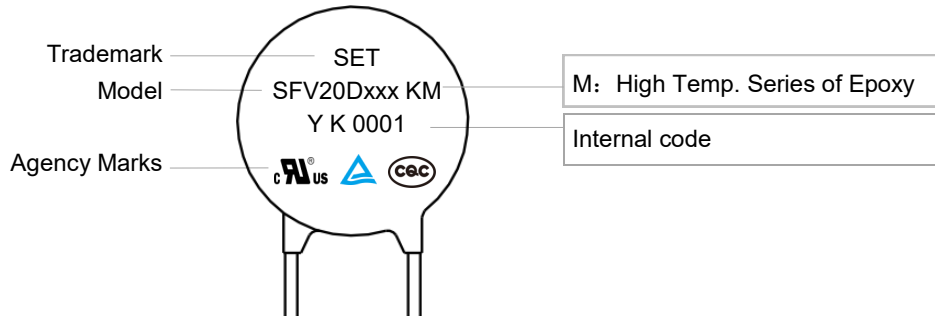
Agency Information

Agency	Standards	No.
	UL 1449 5 th Edition	E322662
	CSA C22.2 NO.269.5-17	E322662
	EN IEC 61051-1:2018 EN IEC 61051-2:2021 IEC 61051-2-2:1991 Annex G.8.1 of IEC 62368-1:2018	J 50589584
	GB/T 10193-1997 GB/T 10194-1997 GB 4943.1-2022 IEC 61051-2-1991+Amd1:2009	CQC23001390148

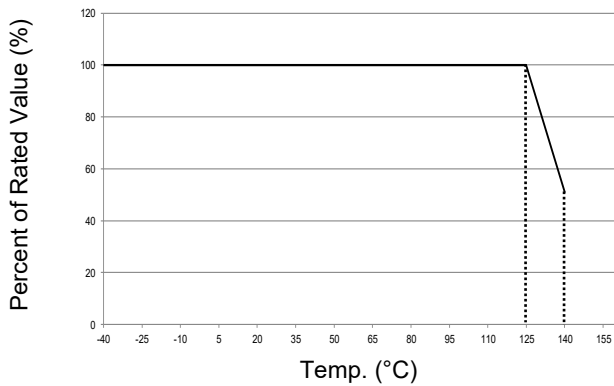
Applications

- Power Supplies
- Home Electrical Appliances
- Industrial Devices
- Surge Protectors
- Telecom Devices

Marking



Temp. Derating Curve



Note:

For high temp. series, when ambient temp. exceeds 125 °C, the peak surge current and energy rating should be reduced as shown in the left curve.

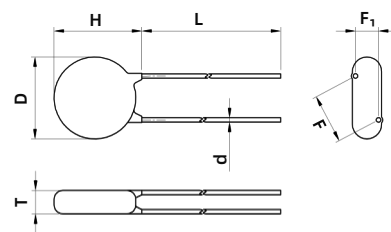
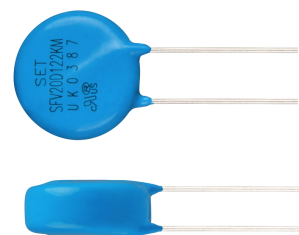
For High Temp. Series Products

General Technical Data

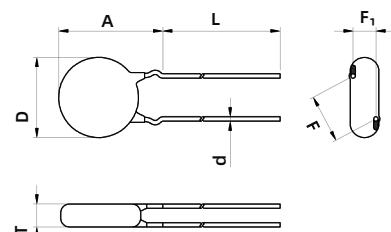
Item	Value	Unit
Operating Temperature	-40 ~ +125	°C
Storage Temperature	-40 ~ +150	°C
Voltage Proof	≥2500	V _{ac}
Insulation Resistance	≥100	MΩ

Dimensions (mm)

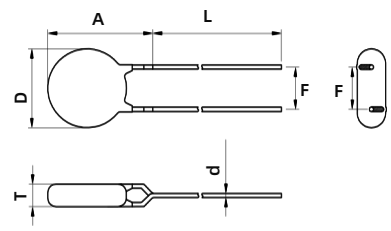
Model	L (Min.)	H (Max.)	T (Max.)	D (Max.)	d	F	F ₁	A (Max.)
SFV20D820KM	20	25.5	4.8	23	1.00±0.05	10.0±0.5	1.4 ~ 2.8	27.5
SFV20D101KM	20	25.5	5.0	23	1.00±0.05	10.0±0.5	1.5 ~ 3.0	27.5
SFV20D121KM	20	25.5	5.2	23	1.00±0.05	10.0±0.5	1.6 ~ 3.2	27.5
SFV20D151KM	20	25.5	5.5	23	1.00±0.05	10.0±0.5	1.7 ~ 3.5	27.5
SFV20D181KM	20	25.5	4.9	23	1.00±0.05	10.0±0.5	1.0 ~ 2.9	27.5
SFV20D201KM	20	25.5	5.1	23	1.00±0.05	10.0±0.5	1.0 ~ 3.0	27.5
SFV20D221KM	20	25.5	5.2	23	1.00±0.05	10.0±0.5	1.0 ~ 3.0	27.5
SFV20D241KM	20	25.5	5.3	23	1.00±0.05	10.0±0.5	1.1 ~ 3.1	27.5
SFV20D271KM	20	25.5	5.5	23	1.00±0.05	10.0±0.5	1.3 ~ 3.3	27.5
SFV20D301KM	20	25.5	5.7	23	1.00±0.05	10.0±0.5	1.4 ~ 3.4	27.5
SFV20D331KM	20	25.5	5.8	23	1.00±0.05	10.0±0.5	1.6 ~ 3.6	27.5
SFV20D361KM	20	25.5	6.0	23	1.00±0.05	10.0±0.5	1.7 ~ 3.7	27.5
SFV20D391KM	20	25.5	6.2	23	1.00±0.05	10.0±0.5	1.9 ~ 3.9	27.5
SFV20D431KM	20	25.5	6.4	23	1.00±0.05	10.0±0.5	2.0 ~ 4.0	27.5
SFV20D471KM	20	25.5	6.7	23	1.00±0.05	10.0±0.5	2.2 ~ 4.2	27.5
SFV20D511KM	20	25.5	6.9	23	1.00±0.05	10.0±0.5	2.4 ~ 4.4	27.5
SFV20D561KM	20	25.5	7.2	23	1.00±0.05	10.0±0.5	2.7 ~ 4.7	27.5
SFV20D621KM	20	25.5	7.6	23	1.00±0.05	10.0±0.5	3.0 ~ 5.0	27.5
SFV20D681KM	20	25.5	8.0	23	1.00±0.05	10.0±0.5	3.2 ~ 5.2	27.5
SFV20D751KM	20	25.5	8.4	23	1.00±0.05	10.0±0.5	3.6 ~ 5.6	27.5
SFV20D821KM	20	25.5	8.8	23	1.00±0.05	10.0±0.5	3.9 ~ 5.9	27.5
SFV20D911KM	20	25.5	9.4	23	1.00±0.05	10.0±0.5	4.3 ~ 6.3	27.5
SFV20D102KM	20	25.5	9.9	23	1.00±0.05	10.0±0.5	4.8 ~ 6.8	27.5
SFV20D112KM	20	25.5	10.5	23	1.00±0.05	10.0±0.5	5.2 ~ 7.2	27.5
SFV20D122KM	20	25.5	11.1	23	1.00±0.05	10.0±0.5	5.7 ~ 7.7	27.5



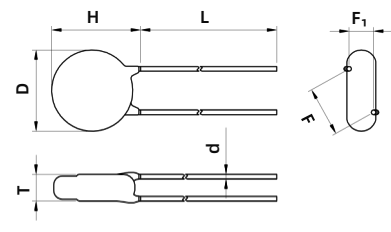
Straight Lead (A)



Outward Crimp (C)



Inline Crimp (D)



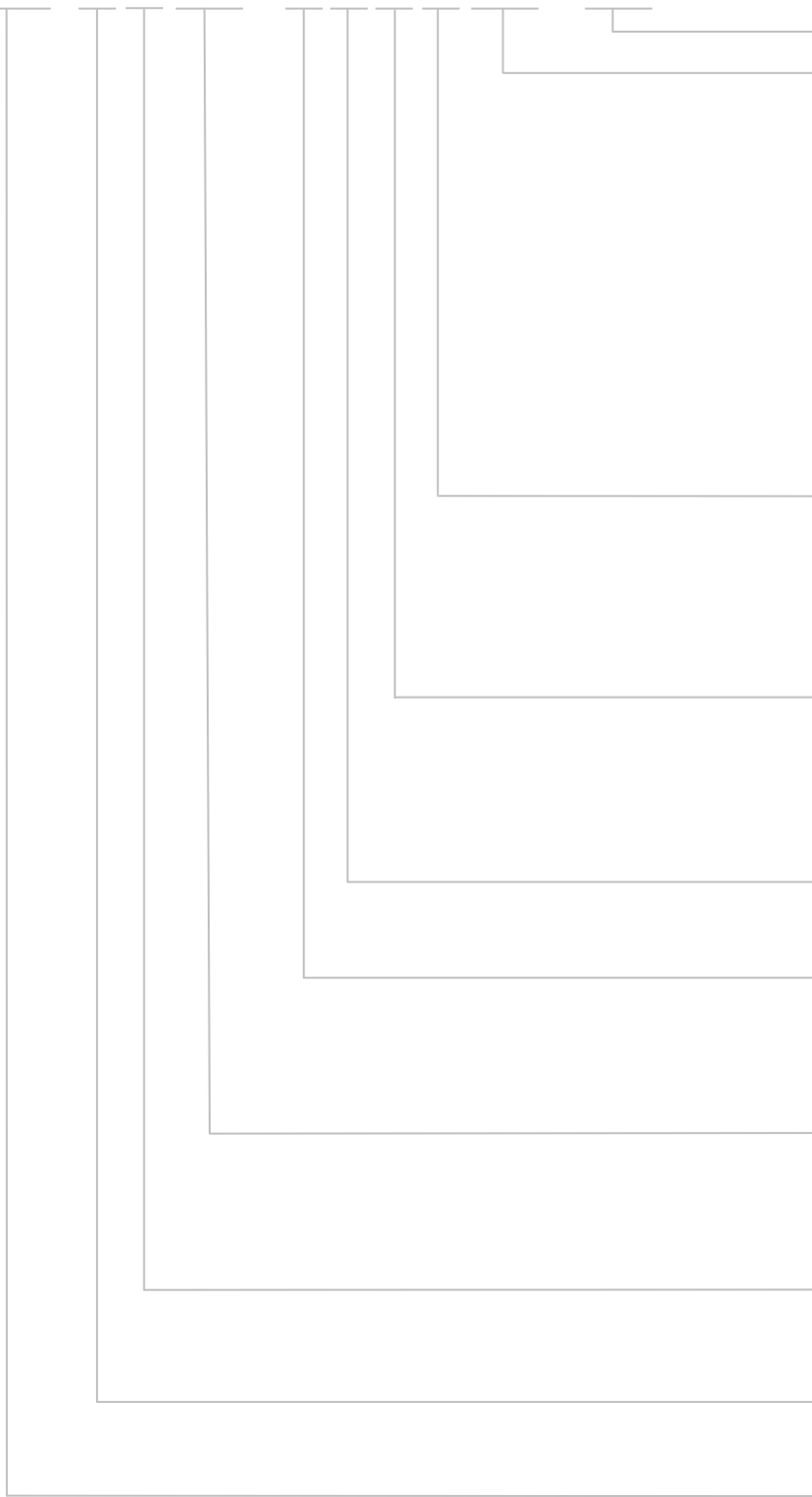
Little Straight Lead (I)

Note:

The above data is for reference only.

Part Numbering System

SFV 20 D 471 - K M K A BUL - 001



Other Options

***Packaging & Lead Length**

BUL: Bulk + Standard Lead Length (Normal L28)
 C35: Bulk + Cut to 3.5 mm
 (Range:2.5 mm to 6 mm)
 L30: Bulk + Special Lead Length 30 mm
 (28 mm to 32 mm)
 (0/1)AB: Taping + Box (Hole Pitch 12.7 mm)
 (0/1)EB: Taping + Box (Hole Pitch 15.0 mm)
 (0/1)AR: Taping + Reel (Hole Pitch 12.7 mm)
 (0/1)ER: Taping + Reel (Hole Pitch 15.0 mm)
 Note:0/1 Means Product Position
 0: In Middle of Two Holes; 1: Across the Hole

Lead Types

A: Straight Lead
 C: Outward Crimp Lead
 D: Inline Crimp Lead
 I: Little Straight Lead

Surge Level

S: Normal Type
 K: Standard Type
 Q: Advanced Type
 H: High Energy Type

Operating Temp.

M: Epoxy Coating 125 °C

Voltage Tolerance

K: ±10%
 J: ±5%
 S: Special Tolerance

Nominal Varistor Voltage

220: $22 \times 10^0 = 22 \text{ V}$
 471: $47 \times 10^1 = 470 \text{ V}$
 122: $12 \times 10^2 = 1200 \text{ V}$

Disk Shape

D: Round

Bare Disk Dimension

20: 20 mm

Product Category

SETfuse Varistor

Reminder:

Part numbering system in the datasheet is only for selecting correct parameter and product features. Before placing order, please contact us for specifications and use the part number and product code in the specifications to place order to ensure the part is correct. Product code is the unique identification.

Specification

Model	Surge Level	Max. Continuous Operating Voltage		Varistor Voltage @1 mA DC		Clamping Voltage (Max.)		Max. Peak Current (1 time, 8/20 μs)	Max. Energy (10/1000 μs)	Typical Capacitance (For reference only) @1 kHz	Agency Information						
		VAC	VDC	Min.	Max.	V _C	I _P				S		(pF)	UL	cUL	TUV	CQC
		(V)	(V)	(V)	(V)	(V)	(A)				(kA)	(J)		UL	cUL	TUV	CQC
SFV20D820KM	S	50	65	74	90	135	100	6.5	38	4900	●	●	●	●			
SFV20D101KM	S	60	85	90	110	165	100	6.5	45	4000	●	●	●	●			
SFV20D121KM	S	75	100	108	132	200	100	6.5	55	3400	●	●	●	●			
SFV20D151KM	S	95	125	135	165	250	100	6.5	70	2700	●	●	●	●			
SFV20D181KM	S	115	150	162	198	300	100	6.5	85	2200	●	●	●	●			
SFV20D201KM	S	130	170	180	220	340	100	6.5	95	2000	●	●	●	●			
SFV20D221KM	S	140	180	198	242	360	100	6.5	100	1800	●	●	●	●			
SFV20D241KM	S	150	200	216	264	395	100	6.5	108	1650	●	●	●	●			
SFV20D271KM	S	175	225	243	297	455	100	6.5	127	1500	●	●	●	●			
SFV20D301KM	S	190	250	270	330	500	100	6.5	136	1300	●	●	●	●			
SFV20D331KM	S	210	275	297	363	550	100	6.5	150	1200	●	●	●	●			
SFV20D361KM	S	230	300	324	396	595	100	6.5	163	1100	●	●	●	●			
SFV20D391KM	S	250	320	351	429	650	100	6.5	180	1000	●	●	●	●			
SFV20D431KM	S	275	350	387	473	710	100	6.5	190	930	●	●	●	●			
SFV20D471KM	S	300	385	423	517	775	100	6.5	220	850	●	●	●	●			
SFV20D511KM	S	320	415	459	561	845	100	6.5	220	780	●	●	●	●			
SFV20D561KM	S	350	460	504	616	925	100	6.5	220	710	●	●	●	●			
SFV20D621KM	S	385	505	558	682	1025	100	6.5	220	650	●	●	●	●			
SFV20D681KM	S	420	560	612	748	1120	100	6.5	230	600	●	●	●	●			
SFV20D751KM	S	460	615	675	825	1240	100	6.5	255	530	●	●	●	●			
SFV20D821KM	S	510	670	738	902	1355	100	6.5	282	500	●	●	●	●			
SFV20D911KM	S	550	745	819	1001	1500	100	6.5	310	440	●	●	●	●			
SFV20D102KM	S	625	825	900	1100	1650	100	6.5	342	400	●	●	●	●			
SFV20D112KM	S	680	895	990	1210	1815	100	6.5	383	360	●	●	●	●			
SFV20D122KM	S	750	990	1080	1320	1980	100	6.5	408	320	●	●	●	●			

●: Approved ○: Unauthorized ●: RoHS & REACH Compliant

Specification

Model	Surge Level	Max. Continuous Operating Voltage		Varistor Voltage @1 mA DC		Clamping Voltage (Max.)		Max. Peak Current (1 time, 8/20 μs)	Max. Energy (10/1000 μs)	Typical Capacitance (For reference only) @1 kHz	Agency Information						
		VAC	VDC	Min.	Max.	V _C	I _P				K		(pF)	UL	cUL	TUV	CQC
		(V)	(V)	(V)	(V)	(V)	(A)				(kA)	(J)		UL	cUL	TUV	CQC
SFV20D820KM	K	50	65	74	90	135	100	10	56	4900	●	●	●	●			
SFV20D101KM	K	60	85	90	110	165	100	10	70	4000	●	●	●	●			
SFV20D121KM	K	75	100	108	132	200	100	10	85	3400	●	●	●	●			
SFV20D151KM	K	95	125	135	165	250	100	10	106	2700	●	●	●	●			
SFV20D181KM	K	115	150	162	198	300	100	10	130	2200	●	●	●	●			
SFV20D201KM	K	130	170	180	220	340	100	10	140	2000	●	●	●	●			
SFV20D221KM	K	140	180	198	242	360	100	10	155	1800	●	●	●	●			
SFV20D241KM	K	150	200	216	264	395	100	10	168	1650	●	●	●	●			
SFV20D271KM	K	175	225	243	297	455	100	10	190	1500	●	●	●	●			
SFV20D301KM	K	190	250	270	330	500	100	10	210	1300	●	●	●	●			
SFV20D331KM	K	210	275	297	363	550	100	10	228	1200	●	●	●	●			
SFV20D361KM	K	230	300	324	396	595	100	10	255	1100	●	●	●	●			
SFV20D391KM	K	250	320	351	429	650	100	10	275	1000	●	●	●	●			
SFV20D431KM	K	275	350	387	473	710	100	10	305	930	●	●	●	●			
SFV20D471KM	K	300	385	423	517	775	100	10	350	850	●	●	●	●			
SFV20D511KM	K	320	415	459	561	845	100	10	360	780	●	●	●	●			
SFV20D561KM	K	350	460	504	616	925	100	10	380	710	●	●	●	●			
SFV20D621KM	K	385	505	558	682	1025	100	10	390	650	●	●	●	●			
SFV20D681KM	K	420	560	612	748	1120	100	10	400	600	●	●	●	●			
SFV20D751KM	K	460	615	675	825	1240	100	10	420	530	●	●	●	●			
SFV20D821KM	K	510	670	738	902	1355	100	10	460	500	●	●	●	●			
SFV20D911KM	K	550	745	819	1001	1500	100	10	510	440	●	●	●	●			
SFV20D102KM	K	625	825	900	1100	1650	100	10	565	400	●	●	●	●			
SFV20D112KM	K	680	895	990	1210	1815	100	10	620	360	●	●	●	●			
SFV20D122KM	K	750	990	1080	1320	1980	100	10	660	320	●	●	●	●			





●: Approved ○: Unauthorized ●: RoHS & REACH Compliant

MOV

Metal Oxide Varistor

SFV20D M Series

Specification

Model	Surge Level	Max. Continuous Operating Voltage		Varistor Voltage @1 mA DC		Clamping Voltage (Max.)		Pulse Impact Performance (40 times) (1.2/50 μs & 8/20 μs)	Max. Energy (10/1000 μs)	Typical Capacitance (For reference only) @1 kHz	Agency Information						
		VAC	VDC	Min.	Max.	V _c	I _p				Q		(pF)				
		(V)	(V)	(V)	(V)	(V)	(A)				(kV)	(J)		UL	cUL	TUV	CQC
SFV20D201KM	Q	130	170	180	220	340	100	10	140	2000	●	●	●	●			
SFV20D221KM	Q	140	180	198	242	360	100	10	155	1800	●	●	●	●			
SFV20D241KM	Q	150	200	216	264	395	100	10	168	1650	●	●	●	●			
SFV20D271KM	Q	175	225	243	297	455	100	10	190	1500	●	●	●	●			
SFV20D301KM	Q	190	250	270	330	500	100	10	210	1300	●	●	●	●			
SFV20D331KM	Q	210	275	297	363	550	100	10	228	1200	●	●	●	●			
SFV20D361KM	Q	230	300	324	396	595	100	10	255	1100	●	●	●	●			
SFV20D391KM	Q	250	320	351	429	650	100	10	275	1000	●	●	●	●			
SFV20D431KM	Q	275	350	387	473	710	100	10	305	930	●	●	●	●			
SFV20D471KM	Q	300	385	423	517	775	100	10	350	850	●	●	●	●			
SFV20D511KM	Q	320	415	459	561	845	100	10	360	780	●	●	●	●			
SFV20D561KM	Q	350	460	504	616	925	100	10	380	710	●	●	●	●			
SFV20D621KM	Q	385	505	558	682	1025	100	10	390	650	●	●	●	●			
SFV20D681KM	Q	420	560	612	748	1120	100	10	400	600	●	●	●	●			

●: Approved

○: Unauthorized

●: RoHS & REACH Compliant

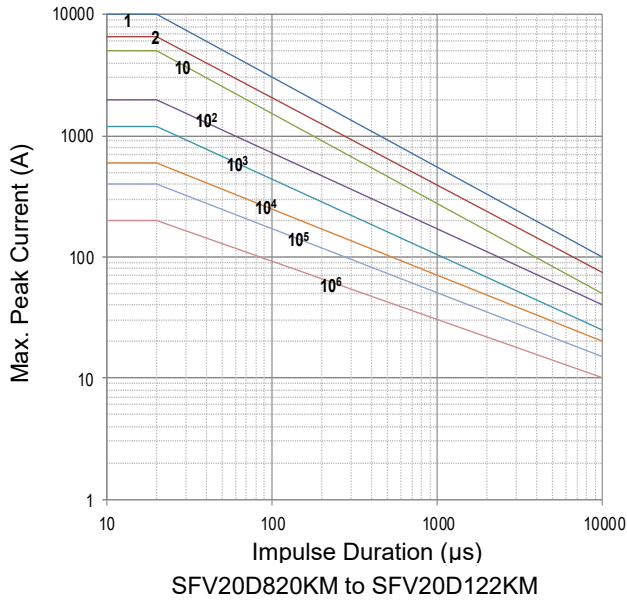
Specification

Model	Surge Level	Max. Continuous Operating Voltage		Varistor Voltage @1 mA DC		Clamping Voltage (Max.)		Max. Peak Current (1 time, 8/20 μs)	Max. Energy (8/20 μs)	Typical Capacitance (For reference only) @1 kHz	Agency Information					
		VAC	VDC	Min.	Max.	V _C	I _P				H		UL	cUL	TUV	CQC
		(V)	(V)	(V)	(V)	(V)	(A)				(kA)	(J)				
SFV20D201KM	H	130	170	180	220	340	100	13	300	2000	●	●	●	●		
SFV20D221KM	H	140	180	198	242	360	100	13	320	1800	●	●	●	●		
SFV20D241KM	H	150	200	216	264	395	100	13	340	1650	●	●	●	●		
SFV20D271KM	H	175	225	243	297	455	100	13	380	1500	●	●	●	●		
SFV20D301KM	H	190	250	270	330	500	100	13	400	1300	●	●	●	●		
SFV20D331KM	H	210	275	297	363	550	100	13	440	1200	●	●	●	●		
SFV20D361KM	H	230	300	324	396	595	100	13	470	1100	●	●	●	●		
SFV20D391KM	H	250	320	351	429	650	100	13	510	1000	●	●	●	●		
SFV20D431KM	H	275	350	387	473	710	100	13	550	930	●	●	●	●		
SFV20D471KM	H	300	385	423	517	775	100	13	600	850	●	●	●	●		
SFV20D511KM	H	320	415	459	561	845	100	13	650	780	●	●	●	●		
SFV20D561KM	H	350	460	504	616	925	100	13	700	710	●	●	●	●		
SFV20D621KM	H	385	505	558	682	1025	100	13	700	650	●	●	●	●		
SFV20D681KM	H	420	560	612	748	1120	100	13	800	600	●	●	●	●		

●: Approved ○: Unauthorized ●: RoHS & REACH Compliant

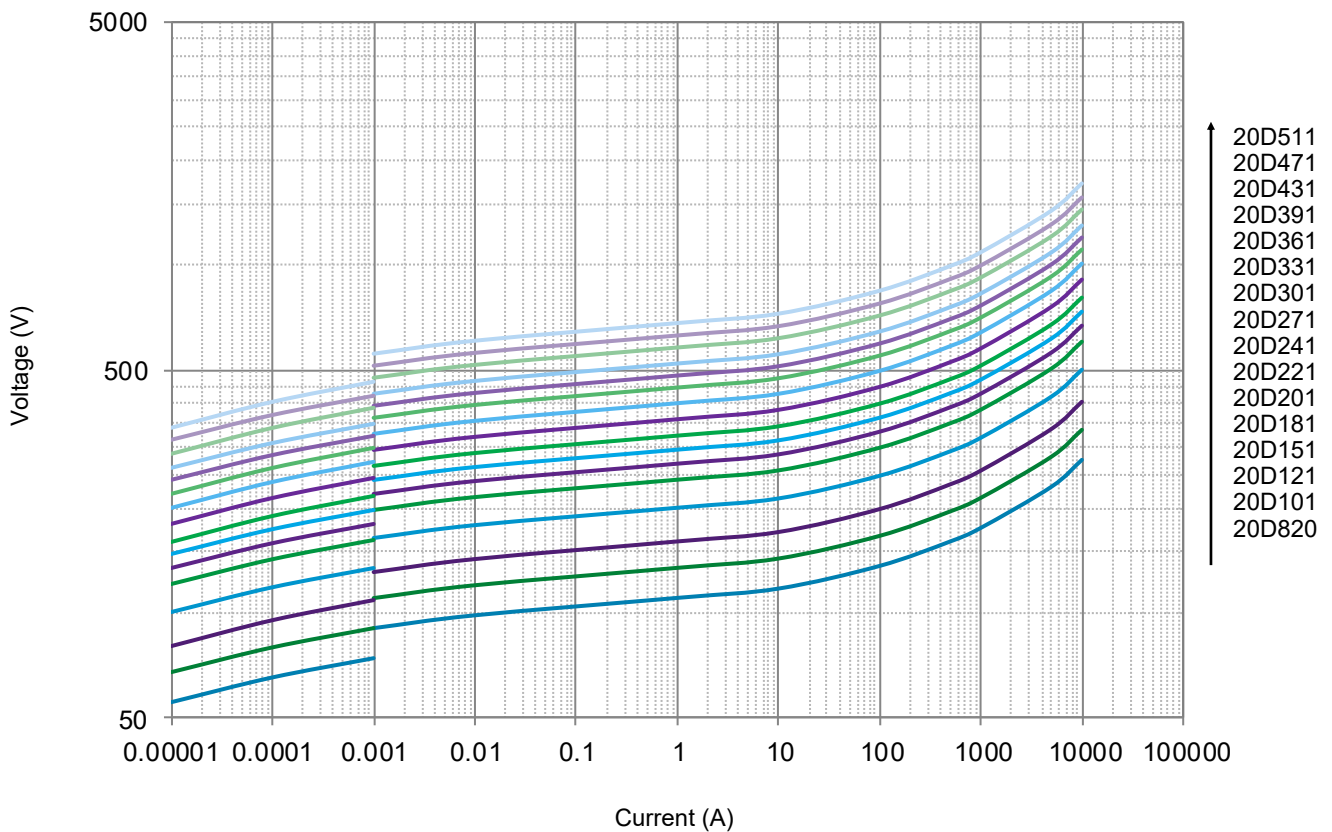
Performance Curve (For reference only)

- Max. Peak Current Derating Curves

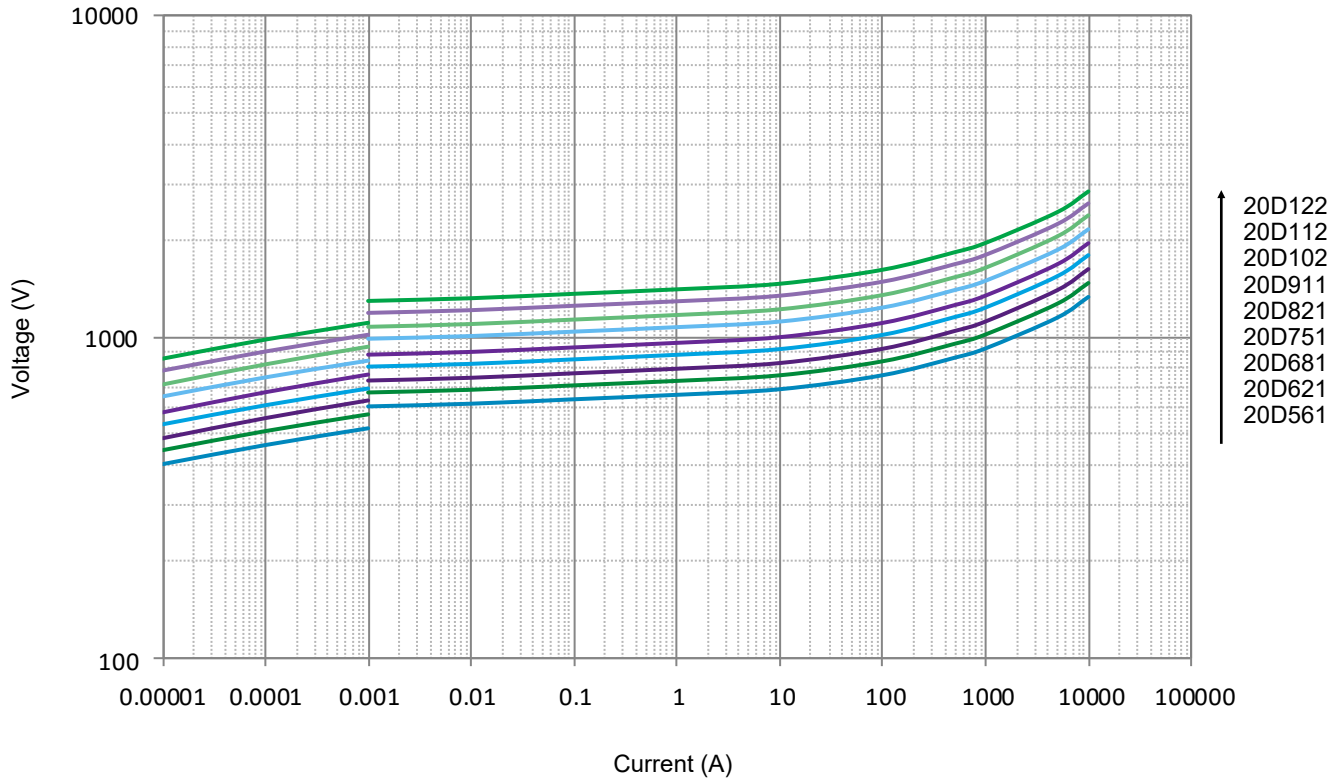


Note: 1, 2, 10, 10², 10³, 10⁴, 10⁵, 10⁶ Stand for Repetitions.

- Voltage-Current Characteristic Curves



● Voltage-Current Characteristic Curves



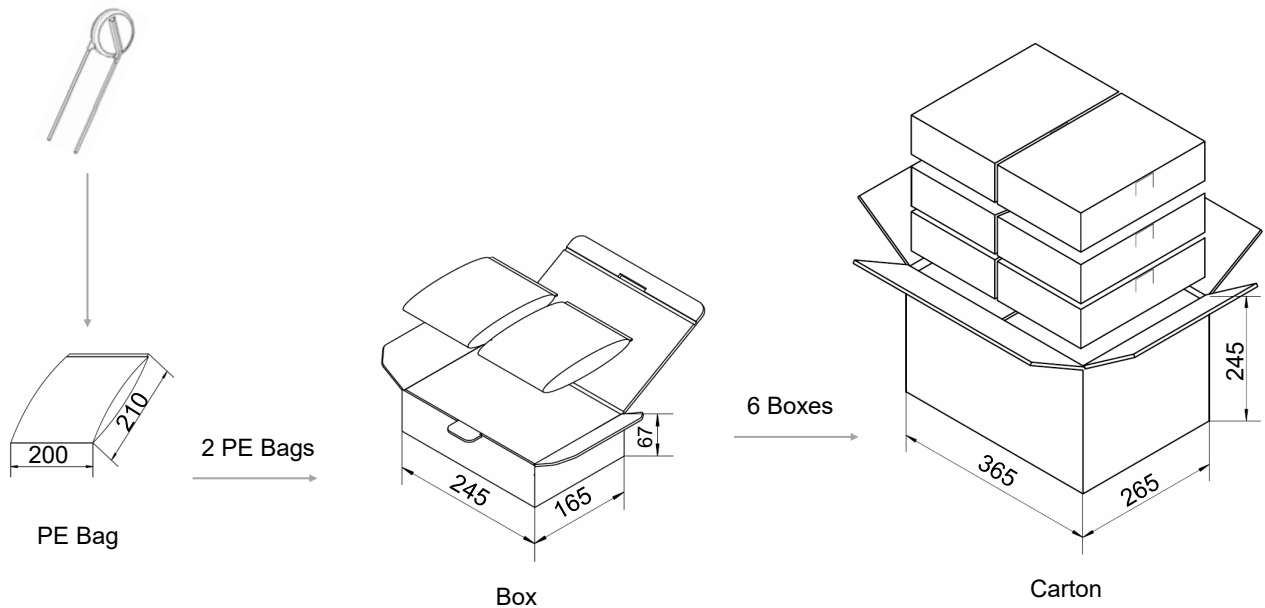
Packaging Information

- Bulk Packaging (Code: BUL)
- Bulk Packaging Quantity & Weight.

Series	Nominal Varistor Voltage	PE Bag	Box	Carton	G. W / Carton (365 × 265 × 245)
	(V)	(PCS)	(PCS)	(PCS)	(kg)±10%
SFV20D M Series	820 ~ 471	250	500	3000	10 ~ 18
	511 ~ 821	200	400	2400	16 ~ 23
	911 ~ 122	100	200	1200	12 ~ 13

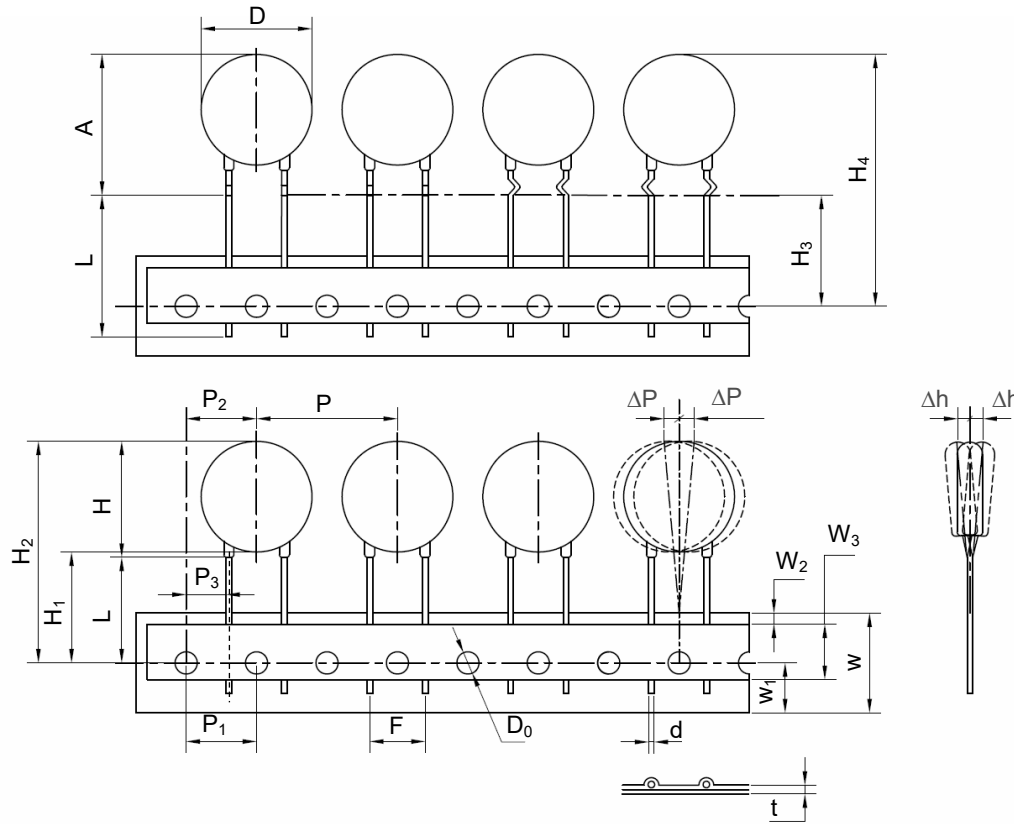
Note:
Other lead length packaging information, please contact SETsafe | SETfuse.

All Dimensions in mm



Packaging Information

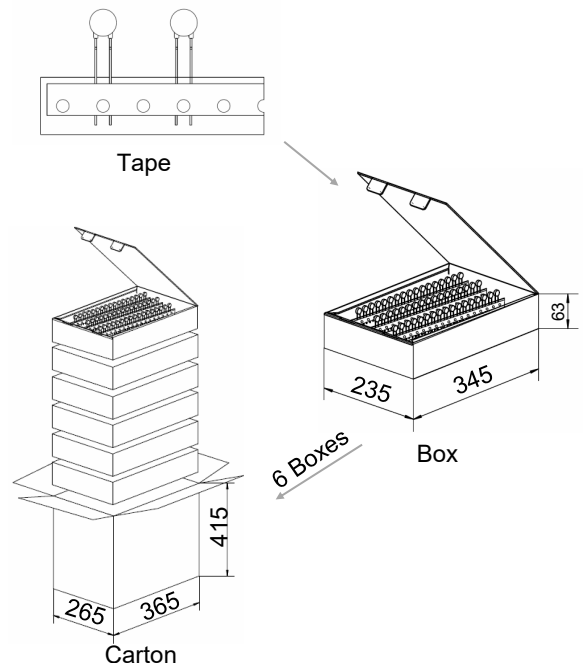
- Tape Packaging (Code: 1AB)



Dimensions (mm)	
P	25.4±1.0
P ₁	12.7±0.3
P ₂	12.7±1.3
P ₃	7.7±0.7
ΔP(max.)	1.0
W	18.0±1.0
W ₁	9.0±1.0
W ₂ (max.)	3.0
W ₃	10.0±2.0
H(max.)	25.5
H ₁	18.0
H ₂ (max.)	45.0 ^{+2.0} ₋₀
H ₃	18.0
H ₄ (max.)	48.0 ^{+2.0} ₋₀
Δh(max.)	2.0
t(max.)	0.6
D(max.)	23.0
D ₀	4.0±0.2
d	1.00±0.05
A(max.)	27.5
F	10.0±0.5
L(min.)	/

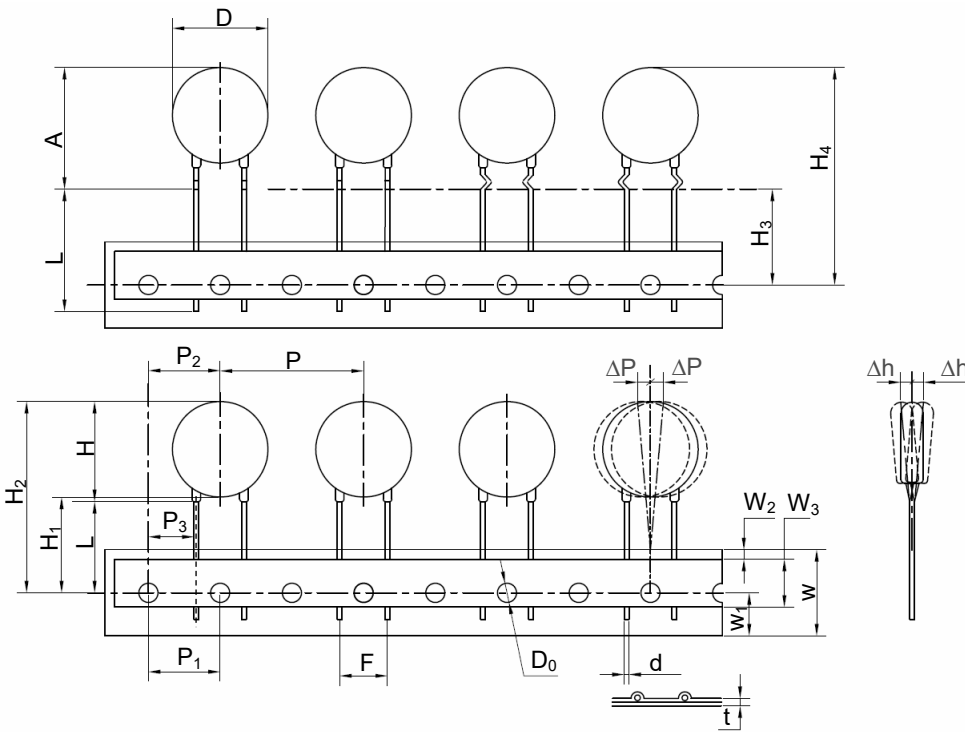
- Tape Packaging Quantity & Weight.

Series	Nominal Varistor Voltage (V)	Box (PCS)	Carton (PCS)	G. W / Carton (365 × 265 × 415) (kg)±10%
20D	102 ~ 122	250	1500	18 ~ 22
	751 ~ 911	300	1800	17 ~ 20
	621 ~ 681	350	2100	17 ~ 18
	471 ~ 561	400	2400	16 ~ 17
	391 ~ 431	450	2700	15 ~ 16
	301 ~ 361	500	3000	15 ~ 16
	221 ~ 271	550	3300	13 ~ 15
	151			15
	181 ~ 201	600	3600	13 ~ 14
	820 ~ 121			11 ~ 14



Packaging Information

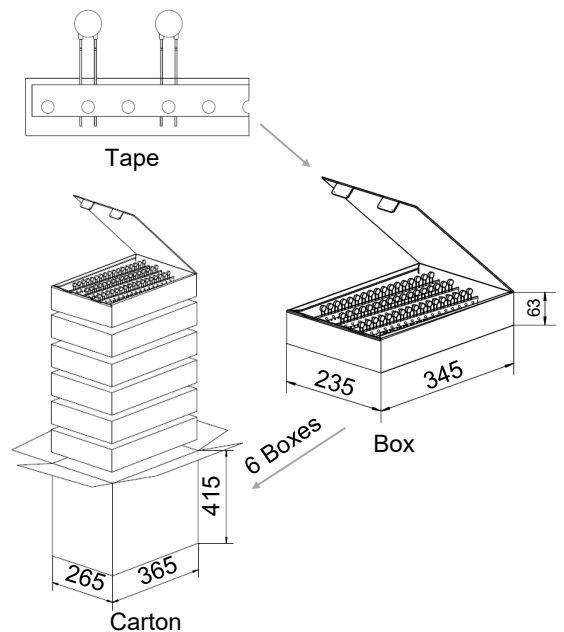
- Tape Packaging (Code: 1EB)



Dimensions (mm)	
P	30.0±1.0
P ₁	15.0±0.3
P ₂	15.0±1.3
P ₃	10.0±1.0
ΔP(max.)	1.0
W	18.0±1.0
W ₁	9.0±1.0
W ₂ (max.)	3.0
W ₃	10.0±2.0
H(max.)	25.5
H ₁	18.0
H ₂ (max.)	45.0 ^{+2.0} ₋₀
H ₃	18.0
H ₄ (max.)	48.0 ^{+2.0} ₋₀
Δh(max.)	2.0
t(max.)	0.6
D(max.)	23.0
D ₀	4.0±0.2
d	1.00±0.05
A(max.)	27.5
F	10.0±0.5
L(min.)	/

- Tape Packaging Quantity & Weight.

Series	Nominal Varistor Voltage (V)	Box (PCS)	Carton (PCS)	G. W / Carton (365 × 265 × 415) (kg)±10%
20D	102 ~ 122	200	1200	14 ~ 16
	251 ~ 911	250	1500	14 ~ 16
	561 - 681	300	1800	13 ~ 15
	431 ~ 511	350	2100	13 ~ 14
	331 ~ 391	400	2400	12 ~ 14
	241 ~ 301	450	2700	11 ~ 13
	181 ~ 221	500	3000	10 ~ 12
	820 ~ 121			10 ~ 11



Installation

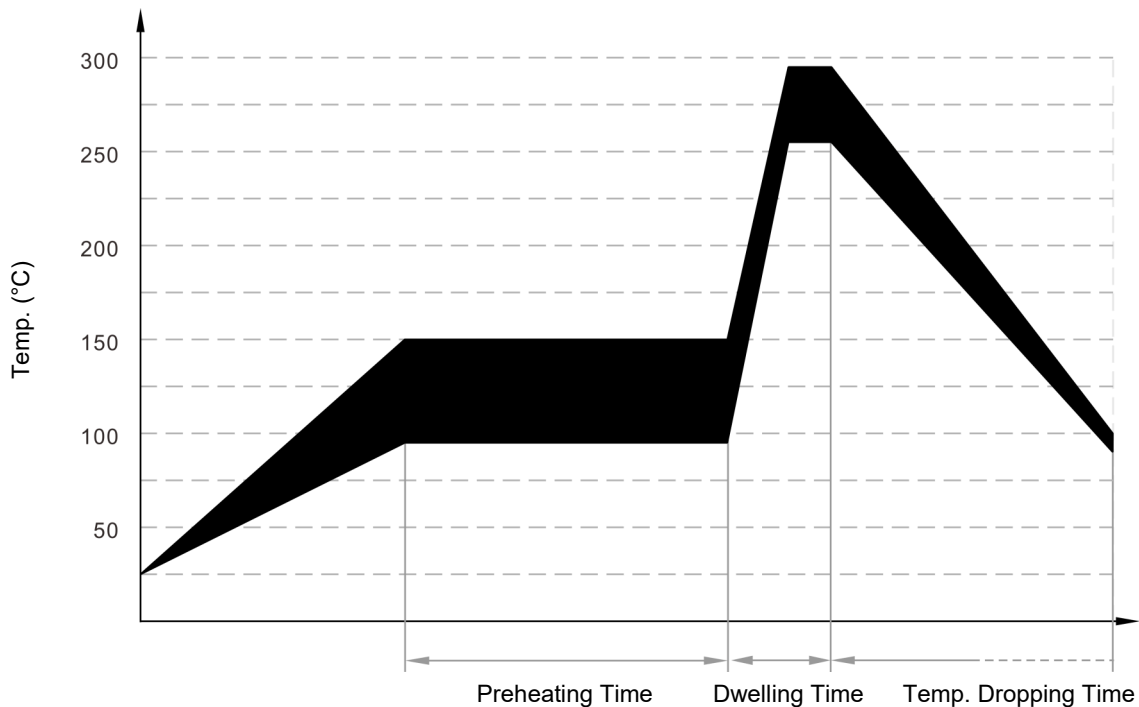
Mechanical Stress

Do not knock MOV when installing, to avoid mechanical damage.

Soldering Parameters

Wave Soldering Parameters

The wave soldering parameters are for reference only. When MOV is for practice use, some related validation is recommended.



Wave Soldering Curve

Item	Temp. (°C)	Time (s)
Preheating	90 to 150	<150
Dwelling	255 to 290	3 to 10

Recommended Hand-Soldering Parameters

Item	Condition
Temp. of Solder Head	350 °C (max.)
Soldering Time	4 seconds (max.)

Glossary

Item	Description
V_N	Nominal Varistor Voltage Voltage, at specified D.C. current used as a reference point in the component characteristics. — (GB 18802.331) — (IEC 61051-1)
I_L	Leakage Current Measuring at 75% of varistor voltage. — (GB/T 10193) — (IEC 61051-1)
UCT	Upper Category Temp. Max. ambient temp. for which a varistor has been designed to operate continuously. — (GB/T 10193) — (IEC 61051-1)
LCT	Lower Category Temp. Minimum ambient temp. at which a varistor has been designed to operate continuously. — (GB/T 10193) — (IEC 61051-1)
Max. Peak Current	Max. Peak Current Max. current per pulse, which may be passed by a varistor at an ambient temp. of 25 °C, for a given number of pulses. — (GB/T 10193) — (IEC 61051-1)
V_C	Clamping Voltage Peak voltage developed across the varistor terminations under standard atmospheric conditions, when passing an 8/20 μ s class current pulse. — (GB 18802.331) — (IEC 61051-1)
Voltage Proof	Voltage Proof Max. peak voltage, which may be applied under continuous operating conditions between the varistor terminations and any conducting mounting surface (Applicable only to insulated varistors). — (GB/T 10193) — (IEC 61051-1)
C_V	Capacitance Capacitance across the MOV measured at a specified frequency and voltage. — (GB 18802.331) — (IEC 61051-1)
V_{ac}	Max. Continuous a.c. Voltage Max. a.c. r.m.s. voltage of a substantially sinusoidal waveform (less than 5% total harmonic distortion) which can be applied to the component under continuous operating conditions at 25 °C. — (GB/T 10193) — (IEC 61051-1)
V_{dc}	Max. Continuous d.c. Voltage Max. d.c. voltage (with less than 5% ripple) which can be applied to the component under continuous operating conditions at an ambient temp. of 25 °C. — (GB/T 10193) — (IEC 61051-1)
I_{max}	Max. Discharge Current Crest value of a current through the SPD having an 8/20 μ s waveshape and magnitude according to the manufacturers specification. I_{max} is equal to or greater than I_n . — (GB 18802.1) — (IEC 61643-11)



ATTENTION

Usage

1. Varistor must operated in the specified ambient temp.
2. Do not clean the varistor with strong polar solvent such as ketone, esters, benzene and halogenated hydrocarbon.
3. Please do not apply severe vibration, shock or pressure to MOV.
4. Please fix lead wires when bending or cutting. The distance between the bending point and the sealing of MOV shall be greater than 2 mm.

Replacement

If varistor is visually damaged, please replace it.

Storage

1. Storage Temp. Range: (-40 to +125) °C.
2. Relative Humidity : ≤75% RH.
3. Altitude: <2000 m.
4. Do not store the MOV at the high temp., high humidity or corrosive gas environment, to avoid influencing the solder-ability of the lead wires, the product shall be used up within 1 year after receiving the goods.

Environmental Conditions

1. Varistor should neither be exposed to the open air, nor direct sunshine.
2. Varistor should avoid rain, water vapor or other condition of high temp. and high humidity.
3. Varistor should avoid sand dust, salt spray, or other harmful gases.

Max. Typical Capacitance of Varistor

The typical capacitance of varistor is listed in the specifications. Designers may refer to it when designing MOV in high frequency circuit.

Metal Oxide Varistor (MOV) Feature & Model List Overview

Nominal Operating Voltage U_n (V)												Page		Model	Maximum Continuous Operating Voltage U_n (V)
		0.5	1	1.75	2	3	3.5	6	10	20	70	AC	DC		
480V	500V							SFV10D122K(T)	SFV14D122K(T)	SFV20D122K(T)	SFV25D122K(T)	SFV53D122K	750	990	Maximum Continuous Operating Voltage U_n (V)
								SFV10D112K(T)	SFV14D112K(T)	SFV20D112K(T)	SFV25D112K(T)	SFV53D112K	680	895	
415V							SFV10D102K(T)	SFV14D102K(T)	SFV20D102K(T)	SFV25D102K(T)	SFV53D102K	625	825		
380V							SFV10D911K(T)	SFV14D911K(T)	SFV20D911K(T)	SFV25D911K(T)	SFV53D911K	550	745		
			SFV7D821K(T)				SFV10D821K(T)	SFV14D821K(T)	SFV20D821K(T)	SFV25D821K(T)	SFV53D821K	510	670		
100V	250V						SFV10D751K(T)	SFV14D751K(T)	SFV20D751K(T)	SFV25D751K(T)	SFV53D751K	460	615		
				SFV7D751K(T)				SFV10D681K(T)	SFV14D681K(T)	SFV20D681K(T)	SFV25D681K(T)	SFV53D681K	420	560	
240V							SFV10D621K(T)	SFV14D621K(T)	SFV20D621K(T)	SFV25D621K(T)	SFV53D621K	385	505		
			SFV7D621K(T)				SFV10D561K(T)	SFV14D561K(T)	SFV20D561K(T)	SFV25D561K(T)	SFV53D561K	350	460		
100V	125V						SFV10D511K(T)	SFV14D511K(T)	SFV20D511K(T)	SFV25D511K(T)	SFV53D511K	320	415		
				SFV7D511K(T)				SFV10D471K(T)	SFV14D471K(T)	SFV20D471K(T)	SFV25D471K(T)	SFV53D471K	300	385	
220V							SFV10D431K(T)	SFV14D431K(T)	SFV20D431K(T)	SFV25D431K(T)	SFV53D431K	275	350		
			SFV7D431K(T)				SFV10D391K(T)	SFV14D391K(T)	SFV20D391K(T)	SFV25D391K(T)	SFV53D391K	250	320		
100V	120V						SFV10D361K(T)	SFV14D361K(T)	SFV20D361K(T)	SFV25D361K(T)	SFV53D361K	230	300		
				SFV7D361K(T)				SFV10D331K(T)	SFV14D331K(T)	SFV20D331K(T)	SFV25D331K(T)	SFV53D331K	210	275	
100V	100V						SFV10D301K(T)	SFV14D301K(T)	SFV20D301K(T)	SFV25D301K(T)	SFV53D301K	190	250		
				SFV7D301K(T)				SFV10D271K(T)	SFV14D271K(T)	SFV20D271K(T)	SFV25D271K(T)	SFV53D271K	175	225	
48V	24V						SFV10D241K(T)	SFV14D241K(T)	SFV20D241K(T)	SFV25D241K(T)	SFV53D241K	150	200		
				SFV7D241K(T)				SFV10D221K(T)	SFV14D221K(T)	SFV20D221K(T)	SFV25D221K(T)	SFV53D221K	140	180	
24V	12V						SFV10D201K(T)	SFV14D201K(T)	SFV20D201K(T)	SFV25D201K(T)	SFV53D201K	130	170		
				SFV7D201K(T)				SFV10D181K(T)	SFV14D181K(T)	SFV20D181K(T)	SFV25D181K(T)	SFV53D181K	115	150	
12V	12V						SFV10D151K(T)	SFV14D151K(T)	SFV20D151K(T)	SFV25D151K(T)	SFV53D151K	95	125		
				SFV7D151K(T)				SFV10D121K(T)	SFV14D121K(T)	SFV20D121K(T)	SFV25D121K(T)	SFV53D121K	75	100	
12V	12V						SFV10D101K(T)	SFV14D101K(T)	SFV20D101K(T)	SFV25D101K(T)	SFV53D101K	60	85		
				SFV7D101K(T)				SFV10D820K(T)	SFV14D820K(T)	SFV20D820K(T)	SFV25D820K(T)	SFV53D820K	50	65	
12V	12V	SFV7D680K(T)	SFV10D680K(T)		SFV14D680K(T)	SFV20D680K(T)		SFV25D680K(T)				40	56		
		SFV7D560K(T)	SFV10D560K(T)		SFV14D560K(T)	SFV20D560K(T)		SFV25D560K(T)					35	45	
12V	12V	SFV7D470K(T)	SFV10D470K(T)		SFV14D470K(T)	SFV20D470K(T)		SFV25D470K(T)				30	38		
		SFV7D390K(T)	SFV10D390K(T)		SFV14D390K(T)	SFV20D390K(T)		SFV25D390K(T)					25	31	
12V	12V	SFV7D330K(T)	SFV10D330K(T)		SFV14D330K(T)	SFV20D330K(T)		SFV25D330K(T)				20	26		
		SFV7D270K(T)	SFV10D270K(T)		SFV14D270K(T)	SFV20D270K(T)		SFV25D270K(T)					17	22	
12V	12V	SFV7D220K(T)	SFV10D220K(T)		SFV14D220K(T)	SFV20D220K(T)		SFV25D220K(T)				14	18		

Metal Oxide Varistor (MOV) Feature & Model List Overview

Nominal Operating Voltage U_n (V)							Page		Model	Maximum Continuous Operating Voltage U_n (V)
		1.75	3.5	6	10	20	AC	DC		
480V	500V	○	SFV10D122KM	SFV14D122KM	SFV20D122KM	SFV25D122KM	750	990	Maximum Continuous Operating Voltage U_n (V)	
		○	SFV10D112KM	SFV14D112KM	SFV20D112KM	SFV25D112KM	680	895		
415V	500V	○	SFV10D102KM	SFV14D102KM	SFV20D102KM	SFV25D102KM	625	825		
		○	SFV10D911KM	SFV14D911KM	SFV20D911KM	SFV25D911KM	550	745		
380V	500V	SFV7D821KM	SFV10D821KM	SFV14D821KM	SFV20D821KM	SFV25D821KM	510	670		
		SFV7D751KM	SFV10D751KM	SFV14D751KM	SFV20D751KM	SFV25D751KM	460	615		
100V	240V	SFV7D681KM	SFV10D681KM	SFV14D681KM	SFV20D681KM	SFV25D681KM	420	560		
		SFV7D621KM	SFV10D621KM	SFV14D621KM	SFV20D621KM	SFV25D621KM	385	505		
240V	250V	SFV7D561KM	SFV10D561KM	SFV14D561KM	SFV20D561KM	SFV25D561KM	350	460		
		SFV7D511KM	SFV10D511KM	SFV14D511KM	SFV20D511KM	SFV25D511KM	320	415		
100V	250V	SFV7D471KM	SFV10D471KM	SFV14D471KM	SFV20D471KM	SFV25D471KM	300	385		
		SFV7D431KM	SFV10D431KM	SFV14D431KM	SFV20D431KM	SFV25D431KM	275	350		
220V	250V	SFV7D391KM	SFV10D391KM	SFV14D391KM	SFV20D391KM	SFV25D391KM	250	320		
		SFV7D361KM	SFV10D361KM	SFV14D361KM	SFV20D361KM	SFV25D361KM	230	300		
100V	120V	SFV7D331KM	SFV10D331KM	SFV14D331KM	SFV20D331KM	SFV25D331KM	210	275		
		SFV7D301KM	SFV10D301KM	SFV14D301KM	SFV20D301KM	SFV25D301KM	190	250		
100V	125V	SFV7D271KM	SFV10D271KM	SFV14D271KM	SFV20D271KM	SFV25D271KM	175	225		
		SFV7D241KM	SFV10D241KM	SFV14D241KM	SFV20D241KM	SFV25D241KM	150	200		
48V	125V	SFV7D221KM	SFV10D221KM	SFV14D221KM	SFV20D221KM	SFV25D221KM	140	180		
		SFV7D201KM	SFV10D201KM	SFV14D201KM	SFV20D201KM	SFV25D201KM	130	170		
48V	125V	SFV7D181KM	SFV10D181KM	SFV14D181KM	SFV20D181KM	SFV25D181KM	115	150		
		SFV7D151KM	SFV10D151KM	SFV14D151KM	SFV20D151KM	SFV25D151KM	95	125		
24V	12V	SFV7D121KM	SFV10D121KM	SFV14D121KM	SFV20D121KM	SFV25D121KM	75	100		
		SFV7D101KM	SFV10D101KM	SFV14D101KM	SFV20D101KM	SFV25D101KM	60	85		
12V	12V	SFV7D820KM	SFV10D820KM	SFV14D820KM	SFV20D820KM	SFV25D820KM	50	65		
		○	○	SFV25D680KM	○	○	40	56		
12V	12V	○	○	SFV25D560KM	○	○	35	45		
		○	○	SFV25D470KM	○	○	30	38		
12V	12V	○	○	○	○	○	25	31		
		○	○	○	○	○	20	26		
12V	12V	○	○	○	○	○	17	22		
		○	○	○	○	○	14	18		

Maximum Peak Current (8/20 μ s) (kA)

Metal Oxide Varistor (MOV) Feature & Model List Overview

Nominal Operating Voltage U_n (V)		Model											Page	
		2	3	5	6	8	10	15	20	25	40	AC	DC	
480V	500V	○	○	○	○	○	○	SFV20S122K	○	SFV25S122K	SFV34S122K	750	990	
		○	○	○	○	○	○	SFV20S112K	○	SFV25S112K	SFV34S112K	680	895	
415V	500V	○	○	○	○	○	○	SFV20S102K	○	SFV25S102K	SFV34S102K	625	825	
		○	○	○	○	○	○	SFV20S911K	○	SFV25S911K	SFV34S911K	550	745	
380V	500V	○	○	SFV10S821K	○	○	○	SFV15S821K	○	SFV25S821K	SFV34S821K	510	670	
		○	○	SFV10S751K	○	○	○	SFV15S751K	○	SFV25S751K	SFV34S751K	460	615	
100V	240V	○	○	SFV10S681K	○	○	○	SFV15S681K	SFV20S681K	○	SFV25S681K	SFV34S681K	420	560
		○	○	SFV10S621K	○	○	○	SFV15S621K	SFV20S621K	○	SFV25S621K	SFV34S621K	385	505
100V	240V	○	○	SFV10S561K	○	○	○	SFV15S561K	SFV20S561K	○	SFV25S561K	SFV34S561K	350	460
		○	○	SFV10S511K	○	○	○	SFV15S511K	SFV20S511K	○	SFV25S511K	SFV34S511K	320	415
100V	220V	○	○	SFV10S471K	○	○	○	SFV15S471K	SFV20S471K	○	SFV25S471K	SFV34S471K	300	385
		○	○	SFV10S431K	○	○	○	SFV15S431K	SFV20S431K	○	SFV25S431K	SFV34S431K	275	350
100V	250V	○	○	SFV10S391K	○	○	○	SFV15S391K	SFV20S391K	○	SFV25S391K	SFV34S391K	250	320
		○	○	SFV10S361K	○	○	○	SFV15S361K	SFV20S361K	○	SFV25S361K	SFV34S361K	230	300
120V	250V	○	○	SFV10S331K	○	○	○	SFV15S331K	SFV20S331K	○	SFV25S331K	SFV34S331K	210	275
		○	○	SFV10S301K	○	○	○	SFV15S301K	SFV20S301K	○	SFV25S301K	SFV34S301K	190	250
125V	125V	○	○	SFV10S271K	○	○	○	SFV15S271K	SFV20S271K	○	SFV25S271K	SFV34S271K	175	225
		○	○	SFV10S241K	○	○	○	SFV15S241K	SFV20S241K	○	SFV25S241K	SFV34S241K	150	200
100V	125V	○	○	SFV10S221K	○	○	○	SFV15S221K	SFV20S221K	○	SFV25S221K	SFV34S221K	140	180
		○	○	SFV10S201K	○	○	○	SFV15S201K	SFV20S201K	○	SFV25S201K	SFV34S201K	130	170
48V	125V	○	○	SFV10S181K	○	○	○	SFV15S181K	SFV20S181K	○	SFV25S181K	SFV34S181K	115	150
		○	○	SFV10S151K	○	○	○	SFV15S151K	SFV20S151K	○	SFV25S151K	SFV34S151K	95	125
24V	125V	○	SFV10S121K	○	○	○	○	SFV15S121K	SFV20S121K	○	SFV25S121K	SFV34S121K	75	100
		○	SFV10S101K	○	○	○	○	SFV15S101K	SFV20S101K	○	SFV25S101K	SFV34S101K	60	85
24V	125V	○	SFV10S820K	○	○	○	○	SFV15S820K	SFV20S820K	○	SFV25S820K	SFV34S820K	50	65
		SFV10S680K	SFV15S680K	SFV20S680K	○	○	○	SFV25S680K	○	SFV34S680K	○	○	40	56
12V	125V	SFV10S560K	SFV15S560K	SFV20S560K	○	○	SFV25S560K	○	SFV34S560K	○	○	35	45	
		SFV10S470K	SFV15S470K	SFV20S470K	○	○	SFV25S470K	○	SFV34S470K	○	○	30	38	
12V	125V	SFV10S390K	SFV15S390K SFV20S390K	○	○	○	SFV25S390K	○	○	○	○	25	31	
		SFV10S330K	SFV15S330K SFV20S330K	○	○	○	SFV25S330K	○	○	○	○	20	26	
12V	125V	SFV10S270K	SFV15S270K SFV20S270K	○	○	SFV25S270K	○	○	○	○	○	17	22	
		SFV10S220K	SFV15S220K SFV20S220K SFV25S220K	○	○	○	○	○	○	○	○	14	18	